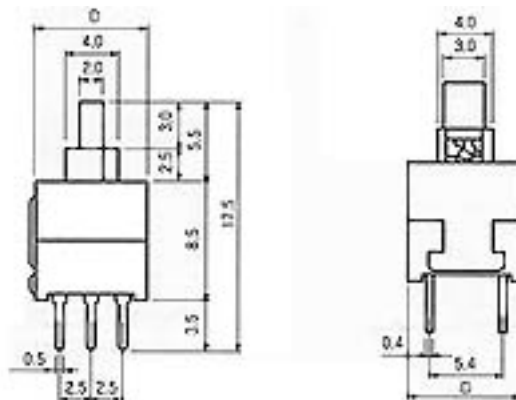


1. Rating : DC 30V, 0.1A
2. Circuit : 2C-2P
3. Timing : Shorting or Non Shorting

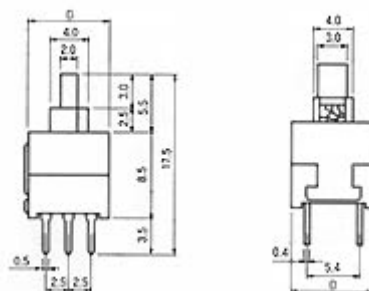
4. Travel : Full 1.8 , Lock 1.0
5. Operating Mode : Self Lock, Non Lock
6. Operating Force : $140 \pm 50\text{gf}$



1. Rating : DC 30V, 0.1A
2. Circuit : 2C-2P
3. Timing : Not Shorting

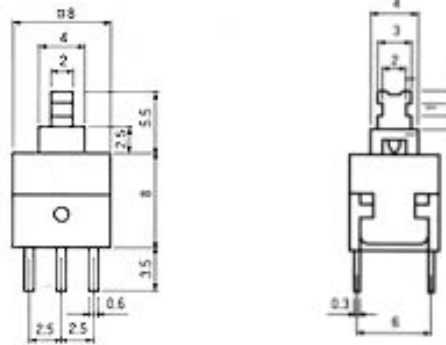
4. Operating Mode :
Self Lock
Non Lock
5. Travel : Full 2.5 , Lock 1.5
6. Operating Force : $180 \pm 50\text{gf}$

MODEL	D
PS2283	8.4
PS2284	8.5

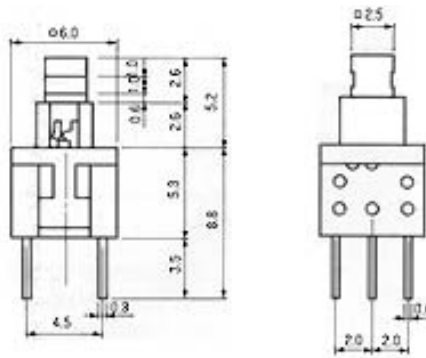


1. Rating : DC 30V, 0.1A
2. Circuit : 2C-2P
3. Timing : Not Shorting
4. Operating Mode : Non Lock Click
4. Travel : Full 2.5
6. Operating Force : $180 \pm 50\text{gf}$

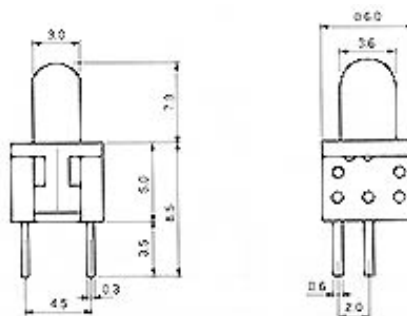
MODEL	D
PS2283V	8.4
PS2284V	8.5



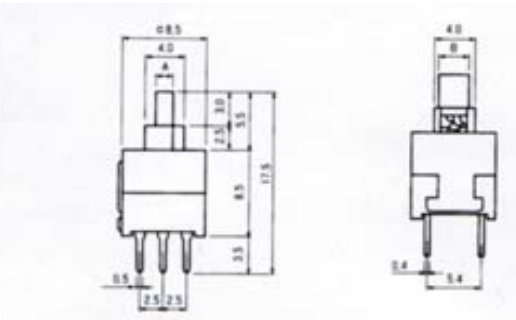
1. Rating : DC 30V, 0.1A
2. Circuit : 2C-2P
3. Timing : Not Shorting
4. Operating Mode :
Self Lock, Non lock
Non Lock With Click
4. Stroke : Full 2.5 , Lock 1.5
6. Operating Force :
180 ± 50gf



1. Rating : DC 30V, 0.1A
2. Circuit : 2C-2P
3. Timing : Not Shorting
4. Operating Mode :
Self Lock
Non Lock
4. Travel : Full 1.9, Lock 1.0
6. Operating Force :
140 ± 50gf

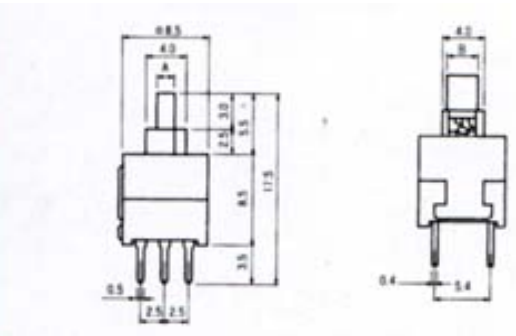


1. Rating: DC 30V, 0.1A
2. Timing : Not Shorting
3. Operating Force: 140 ± 50gf
4. Travel : Full 1.9 m/m
5. General Tolerance : ±0.3

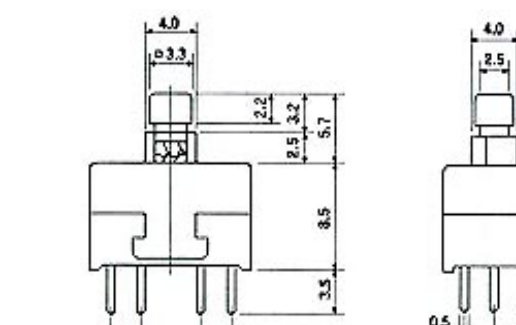
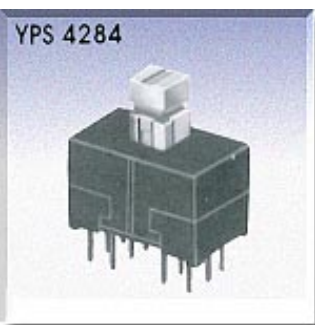


1. Rating: DC 30V, 0.1A
2. Circuit: 2C-2P
3. Timing: Non shorting
4. Operating Mode: Self Lock/ Non-Lock
5. Travel: Full 2.5mm/Lock 1.5mm
6. Operating Force: 180±50 gf

MODEL NO.	A	B
YPS 2284	2.0	3.0
YPS 2284A	3.0	3.0
YPS 2284B	3.3	3.3

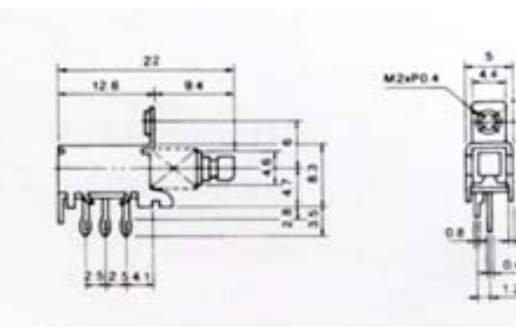


1. Rating: DC 30V, 0.1A
2. Circuit: 2C-2P
3. Timing: Non shorting
4. Operating Mode: Non-Lock Click
5. Travel: Full 2.5mm
6. Operating Force: 180±50 gf

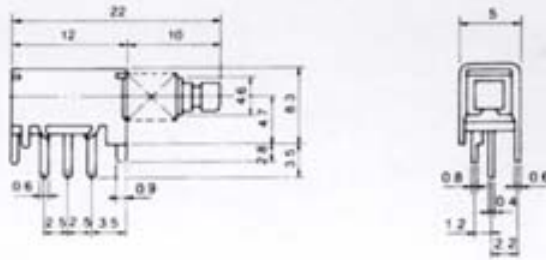


1. Rating : DC 30V, 0.1A
2. Circuit : 4C-2P
3. Timing : Non-Shorting
4. Operating mode : Self Lock, Non-Lock
5. Stroke :
FULL : 2.5
LOCK : 1.5
6. Operating Force:

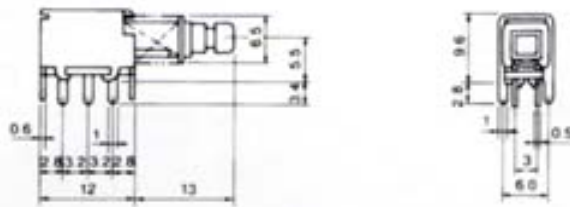
200±100gf or 300±100gf



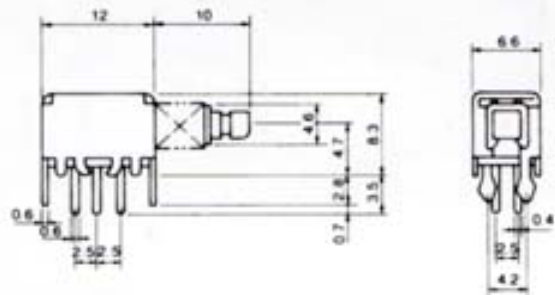
1. Rating: DC 30V, 0.2A
2. Circuit: 1C-2P
3. Timing: Shorting or Non shorting
4. Terminal: Lead Wiring or P.C.board Terminal
5. Operating Mode : Self Lock/Non-Lock
6. Stroke: full 3.5/Lock 2.5
7. Operating Force: 230±100 gf
8. Shaft End: "A" Type



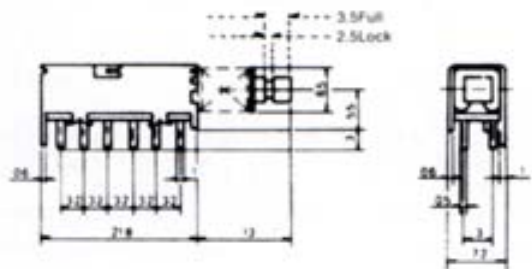
1. Rating: DC 30V, 0.3A
2. Circuit: 1C-2P
3. Timing: Shorting or Non shorting
4. Terminal: Lead Wiring or P.C.board Terminal
5. Operating Mode: Self Lock/Non-Lock
6. Stroke: full 3.5/Lock 2.5
7. Operating Force: 230±100 gf
8. Shaft End: "A" Type



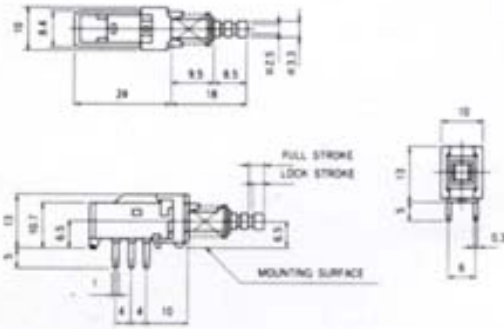
1. Rating: DC 30V, 0.3A
2. Circuit: 2C-2P
3. Timing: Shorting or Non shorting
4. Terminal: Lead Wiring or P.C.board Terminal
5. Operating Mode: Self Lock/Non-Lock
6. Stroke: full 3.5/Lock 2.5
7. Operating Force: 300±150 gf
8. Shaft End: "B" Type



1. Rating: DC 30V, 0.3A
2. Circuit: 2C-2P
3. Timing: Shorting or Non shorting
4. Terminal: P.C.board Terminal
5. Operating Mode: Self Lock/Non-Lock
6. Stroke: full 3.5/Lock 2.5
7. Operating Force: 330±100 gf
8. Shaft End: "A" Type

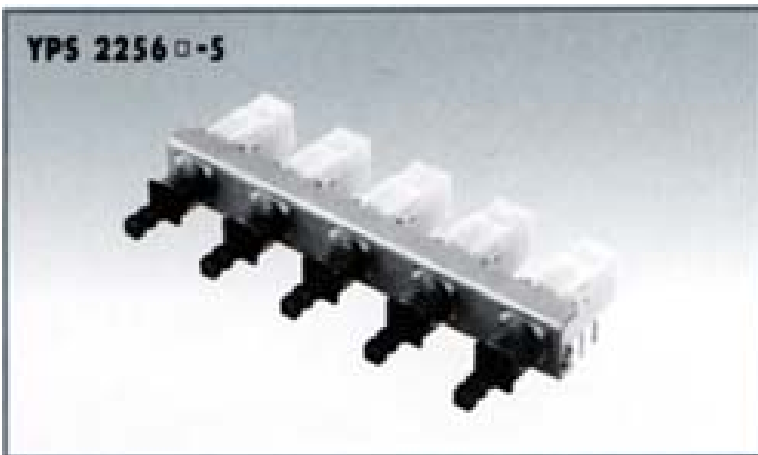


1. Rating: DC 50V, 0.3A
2. Circuit: 4C-2P
3. Operating Force: 300±100 gf
4. Travel: Full 3.5mm/Lock 2.5mm
5. Timing: Non shorting



1. Rating: DC 25V, 0.2A
2. Circuit: 2C-2P
3. Timing: Non shorting
4. Operating Mode: Self Lock, Non-Lock
5. Operating Force: 300±100 gf

MODEL NO.	Stroke
YPS 2256A	Full 3.5 Lock 2.5
YPS 2256B	Full 2.5 Lock 1.5



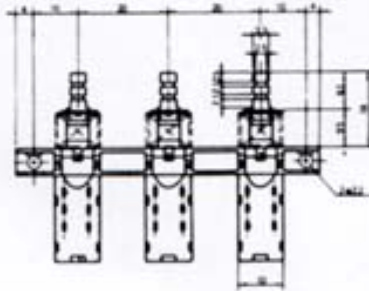
1. Rating: DC 25V, 1A
2. Circuit: 2C-2P
3. Timing: Non shorting
4. Operating Mode: Self Lock, Non-Lock
5. Operating Force: 300±100 gf

MODEL NO.	Stroke
YPS 2256A-5	Full 3.5 Lock 2.5
YPS 2256B-5	Full 2.5 Lock 1.5

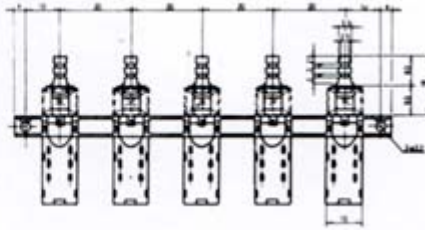


1. Rating: DC 50V 0.3A, AC 120V 1A
2. Circuit: 2C-2P
3. Operating Mode: Self Lock, Non-Lock
4. Operating Force: 300±100 gf
5. Timing: Shorting or Non shorting

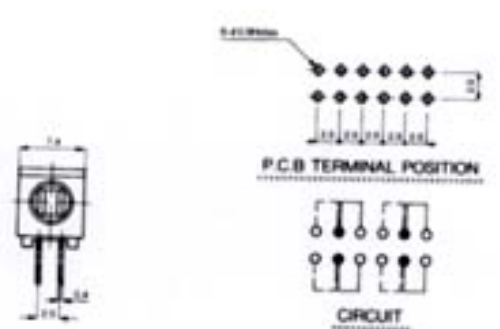
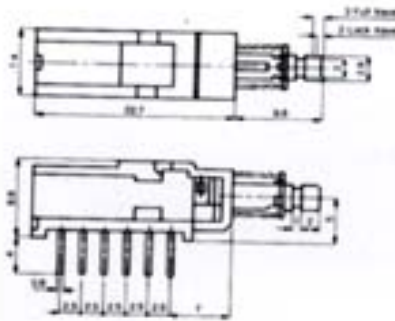
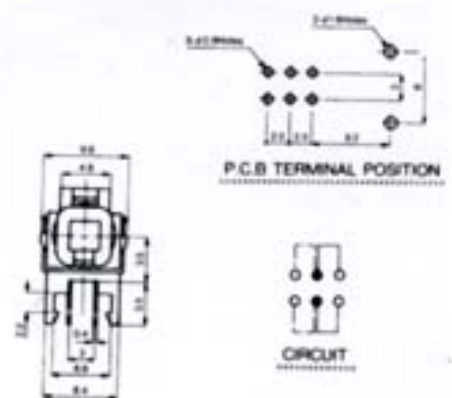
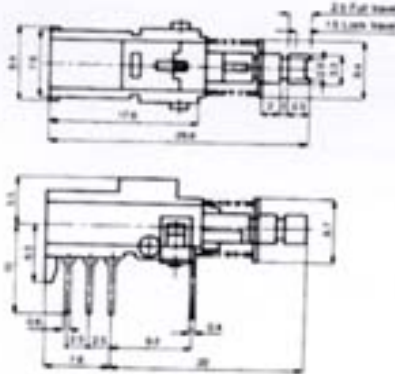
MODEL NO.	Stroke
YPS 2205	Full 3.5 Lock 2.5
YPS 2205A	Full 3.5 Lock 2.5



1. Rating: DC 50V 0.3A, AC 120V 1A
2. Circuit: 2C-2P
3. Operating Mode: Self Lock, Non-Lock
4. Operating Force: 300±100 gf
5. Stroke: Full 5.5mm Lock 4mm
6. Timing: Shorting or Non shorting
7. Operating Mode: Lock Release
8. Serial of DPSS-2205



1. Rating: DC 50V 0.3A, AC 120V 1A
2. Circuit: 2C-2P
3. Operating Mode: Self Lock, Non-Lock
4. Operating Force: 300±100 gf
5. Stroke: Full 5.5mm Lock 4mm
6. Timing: Shorting or Non shorting
7. Operating Mode: Lock Release
8. Serial of DPSS-2205

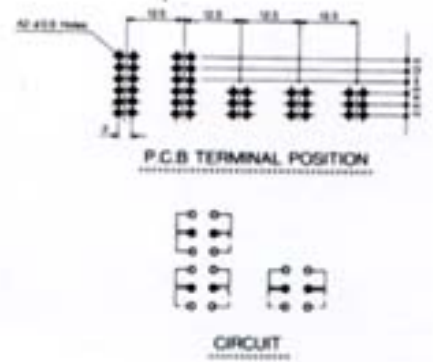
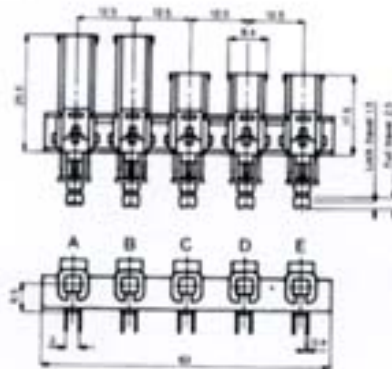




CHUNGSONG

PUSH SWITCHES

YPA12.5P5B42S23C-A



YPB215

